



HALTON DOORSETS

LPCB LPS 1175 SR4

The HALTON doorset has been developed to resist experienced attempts at forced entry of commercial premises, with no regard to noise. LPCB Test tools include: felling axe, sledge hammer, disc grinder, hole saw, hooligan bar & scissor jack.

Steel Faced Timber Security Doorsets

+44 (0)1234 826 316 - sales@staffordbridge.com



Typical Installation

CE MARKING

External doorsets are CE marked to EN14351-1:2006 + A1:2010



For further information and latest copies of the DoP's (Declaration of Performance) visit our website at www.staffordbridge.com

DETAILS

DOORSET DIMENSIONS

Door Type	Opening Direction	S/O Min. Width	S/O Max. Width	S/O Min. Height	S/O Max. Height
Single	Inward	700	1400	1468	2500
	Outward	700	1400	1468	2500
Double	Inward	1400	3000	1900	2500
	Outward				

DOOR LEAF	Hardwood core of minimum density 800kg.m ³ Hardened integral protection 4mm ply/MDF skins Minimum o/a thickness 55/59mm
STEEL ENCAPSULATION	1.5mm Zintec steel to both faces - returned to all edges and secured around the return
DOOR FRAME	Hardwood of minimum density 650kg.m ³ Minimum section 120mm x 70mm Rebated 25mm
HINGES	Minimum 3No. Surelock McGill S2-HA6 hinges per leaf to EN1935:2002
HINGE BOLTS	2No. Surelock McGill S-8375 per leaf
LOCKING SYSTEM	Surface-mounted three or five way system all as tested and certified. See table below for locking option overview. Refer to full certification for complete approved locking list.
VISION PANELS (optional)	350x150mm glazed panel all as tested and approved. 2No. panels required for DDA compliance Glazing Options: Tectur DC49GG
FINISHES	Doors can be supplied in a variety of finishes including: Full gloss paint finish to BS or RAL colour specification

FIRE RESISTANCE Fire Resistance Doorset Structural Opening Sizes

Door Thk	Fire Resistance	Locking Points	Door Type	S/O Width	S/O Max. Height	S/O Max. Width	S/O Height
55/59	FD30	3 or 5	LSASD	1084	2311	1154	2211
55/59	FD30	3	LSADD	2066	2311	2206	2211
55/59	FD60	3 or 5	LSASD	1034	2261	1104	2161
55/59	FD60	3	LSADD	1966	2261	2106	2161
55/59	FD90	3 or 5	LSASD	1004	2161	1004	2161
55/59	FD90	3	LSADD	1906	2161	1906	2161

Key: Latched SA single acting, DA double acting, SD single door, DD double door

This data above details the outer limits of certification. Contact our technical department for specific requirements. Overpanels (FD90), side panels or sizes outside of this scope are subject to project specific assessments, if deemed suitable. The above testing/assessment data is based on testing to BS476 Pt22.

ENHANCED PERFORMANCE OPTIONS

ACOUSTIC Untested - deemed to achieve Rw36dB **BALLISTIC** BS EN 1522:1999 FB1 to FB7 available **BLAST** 'People in Protected Spaces' C15/C25 available
NB: LPS 1175 Certification may not cover some elements of the enhanced performance options. Please call our technical department for further information

Locking Option Table for Halton Doorsets

Manuf.	Model	No. locking points	Surface or morticed	OPTIONS									
				No External Function	Ext. Key & Lever	Ext. Cyl guard (if req'd)	Int. Lever only	Int. Key or t/turn & lever	Int. escape lever to EN179	Int. Push Pad to EN179	Int. Panic Bar to EN1125	12,24 or 50vdc Fail Secure	2no. S3TB-W Tower Bolts to Passive Leaf
Surelock McGill	Slimline	2**	S	Y	Y	P5 Type	Y	Y					Y
		3	S	Y	Y	P5 Type	Y	Y	Y			Y*	Y
		3	S	Y	Y	Leo	Y	Y	Y			Y*	Y
		5	S	Y	Y	P5 Type	Y	Y	Y			Y*	Y

For complete list of certified locking systems & cylinder options please contact our technical department

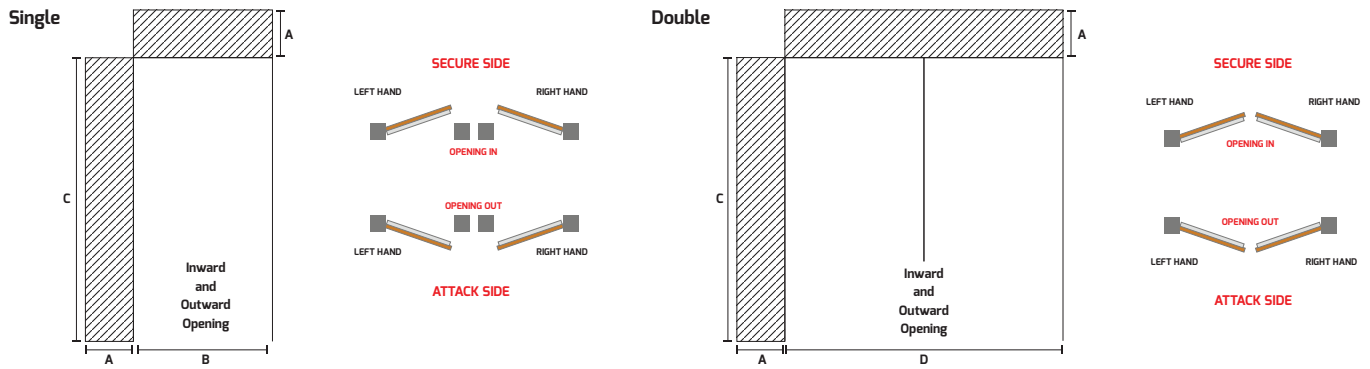
* For side panel applications, only 50vdc access control locks can be used currently

** Fitted to the passive leaf only on a double doorset

Surface mounted cableways and surface cable loops only



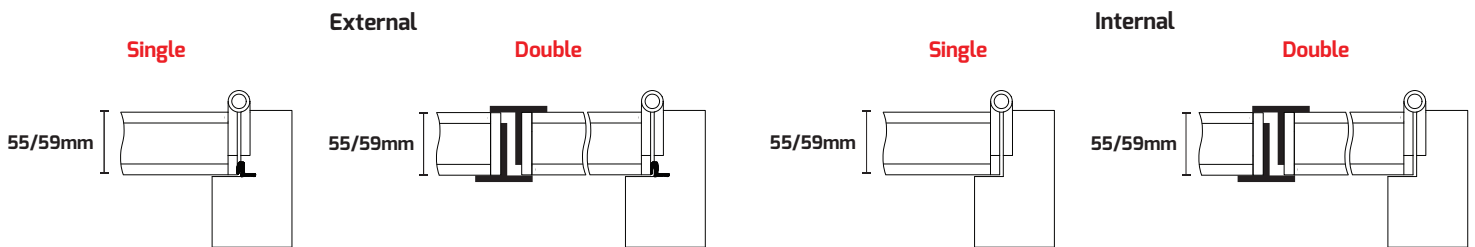
Overall Doorset



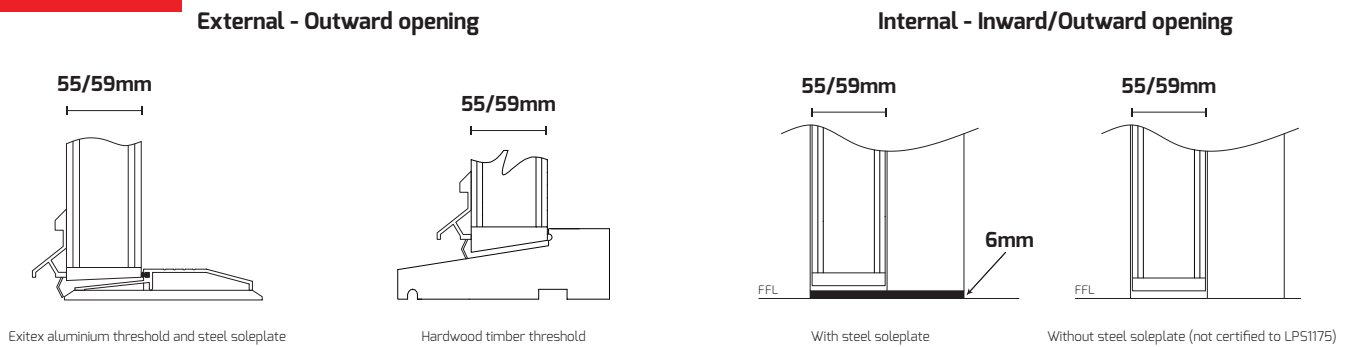
A = min. 100mm, max. 1500mm	B = min. 700mm, max. 1400mm	C = min. 1900mm, max. 2500mm	D = min. 1400mm, max. 3000mm
-----------------------------	-----------------------------	------------------------------	------------------------------

Please Note: Doors can be manufactured outside of these dimensions but will not be certified and subject to local risk management

Frame Detail



Threshold Detail



Specification

L20: INTERNAL DOORSETS

MANUFACTURER: Stafford Bridge Doors Ltd.

TYPE: HALTON

PERFORMANCE: SECURITY: LPCB LPS 1175 SR4

DOOR LEAF:
 CORE: laminated hardwood (with hardened integral protection)
 FACINGS: 2No. 4mm WBP plywood skins per face
 STEEL ENCAPSULATION: 1.5mm Zintec steel to both faces - returned to all edges and secured around the return
 FINISHED THICKNESS: Min. 55mm
 GLAZING: 350x150 clearview vision panel (max 2No. per leaf)
 FINISH: Fully gloss painted to most BS & RAL colours

DOOR FRAME: **TIMBER:** hardwood – minimum density 650kg m⁻²
SECTION: 120x70mm, rebated 25mm
FINISH: fully gloss painted
ARCHITRAVE: 45x15mm – pencil rounded

IRONMONGERY: **HINGES:** Minimum 3No. Surelock McGill S2-HA6 hinges per leaf to EN1935:2002
HINGE BOLTS: 3no. Surelock McGill S-8375 per leaf
LOCK: Surelock McGill three or five point locking mechanism